

Model 1216 C

DESCRIPTION

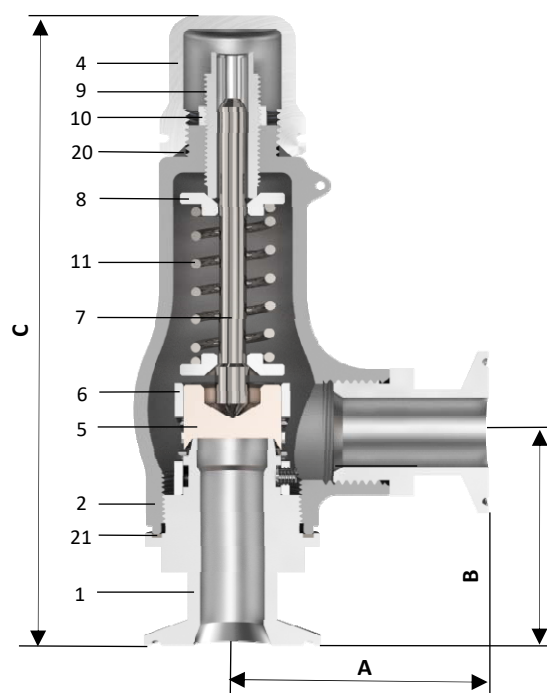
Safety and relief valve, angle type, conventional
 Direct spring loaded
 Full lift safety valve
 Stainless steel
 Steam, gases, vapours and liquids
 Clamp- Clamp or Clamp- BSP
 PN 10
 Clamp dimensions according ISO 2852
 Seat metal- metal, Viton and PTFE
 Set pressure range 0,5 to 34,5 barg
 Tolerance Set pressure $\pm 3\%$
 Overpressure 10%
 European Pressure Equipment Directive PED 2014/68/EU
 CE 0056 Module B
 CE Production Quality Assurance (Module D) ES037955- 1035
 Material test certificate EN 10204 3.1
TOSACA, MADE IN SPAIN



MATERIALS

Item	Components	Material
1	Nozzle	A351 CF-3M
2	Body	A351 CF-3M
4	Cap	A351 CF-8
5 ^{SP}	Disc	AISI-316L
6	Guide	A351 CF-3M
7	Push Rod	AISI-316L
8	Spring Button	AISI-303
9	Ajusting Screw	AISI-303
10	Tensor Nut	AISI-303
11 ^{SP}	Spring	AISI-302
12	Lever	A351 CF-8
17	Release nut	AISI-304
18 ^{SP}	Lever axis	AISI-303
19	Packing lever axis	AISI-303
20 ^{SP}	Gasket cap	PTFE
21 ^{SP}	Gasket	PTFE
22 ^{SP}	Gasket pack. lever	Viton
28 ^{SP}	Soft seat	Viton / PTFE

^{SP} Recommended spare parts



DIMENSIONS

	Connections		Orifice (mm)	Area (mm ²)	A (mm)	B (mm)	C (mm)	Weight (kg)
	Inlet	Outlet						
15 x 25	Clamp	Clamp	9,5	71	73	65	155	2,4
20 x 25	Clamp	Clamp	15	176,6	73	65	155	2,4
25 x 25	Clamp	Clamp	18	254	73	67	155	2,8
40 x 40	Clamp	Clamp	32	804	90	98	234	8,2
15 x 1"	Clamp	BSP	9,5	71	45	65	155	2
20 x 1"	Clamp	BSP	15	176,6	45	65	155	2
25 x 1"	Clamp	BSP	18	254	45	67	155	2,2
40 x 2"	Clamp	BSP	32	804	62	98	234	8,2