

'BD' SERIES BALL VALVES

1,000psi [Pn 68] Rated

3,000/6,000 psi [Pn 204/408] Rated

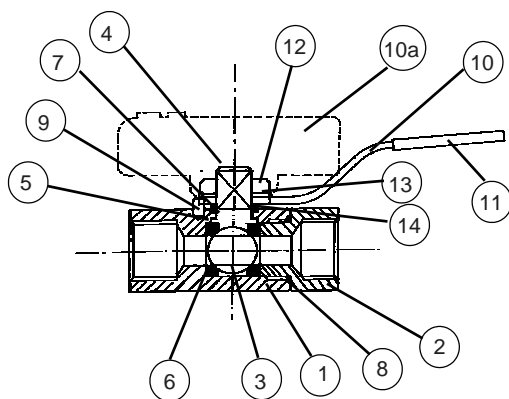
DESIGN FEATURES

- * Robust TWO piece design
- * Internally loaded Blow-out proof stem
- * Floating ball for positive shut-off
- * Low operating torque
- * Smooth 1/4 turn action
- * 316 ss to NACE Specification
- * Different end connections available
- * Maintenance free
- * Full material traceability
- * Choice of Lever, Pointer or 'T' Handles
- * Designed for economy
- * Locking Kit available



Two Piece

MATERIALS of CONSTRUCTION - 316 Stainless Steel



ITEM	COMPONENT	MATERIAL
1	BODY	316 S 11
2	END CONNECTOR	316 S 11
3	BALL	316 S 11
4	STEM	316 S 11
5	STEM SEAL	RTFE
6	SEATS	PTFE / PVDF
7	TOP SEAL	RTFE
8	BODY SEAL	PTFE
9	PIN	STAINLESS STEEL
10	LEVER HANDLE	STAINLESS STEEL
10a	POINTER HANDLE	MAZAK 3- Coated
11	HANDLE SLEEVE	PVC
12	NUT	A4 ss
13	WASHER	A4 ss
14	SPACER	316 SS

Sample Part Number BDHS1015NFS

1/2" NPT 316 St. St. Ball Valve, 10mm Bore - 3,000 psi Pn 204 Rated fitted with Lever Handle.

VALVE PART NUMBER and ORDERING TABLE

Valve Series	Bore	Size	Threads	* Material	Handle	Options
BDHA 1,000 psi/Pn 68	10	08 - 1/4"	NF - NPT Female NM - NPT Male	A - Ali-Bronze D - 31803 Duplex	-PH Pointer -TH StSt 'T' Handle	-LK Locking
BDHS 3,000psi/Pn204		10 - 3/8"	PF - BSPP Female PM - BSPP Male	I - Incoloy		
		15 - 1/2"	TF - BSPT Female TM - BSPT Male	J - 6Mo M - Monel		
BDHP 6,000psi/Pn408	13	20 - 3/4"	C2 - 2 FERRULE Imp DS - Din 'S' Metric	S - 316 SS T - Titanium		
	19	25 - 1"	DL - Din 'L' Metric M2 - 2 FERRULE Metric	U - 32760 S.Duplex		

All valves have Stainless Steel Lever Handles as Standard.

BDseries01/08

Colson
Industries Ltd

Website: www.colson.co.uk

e-mail: sales@colson.co.uk



Certificate No L R Q 0960294
ISO 9001 Registered

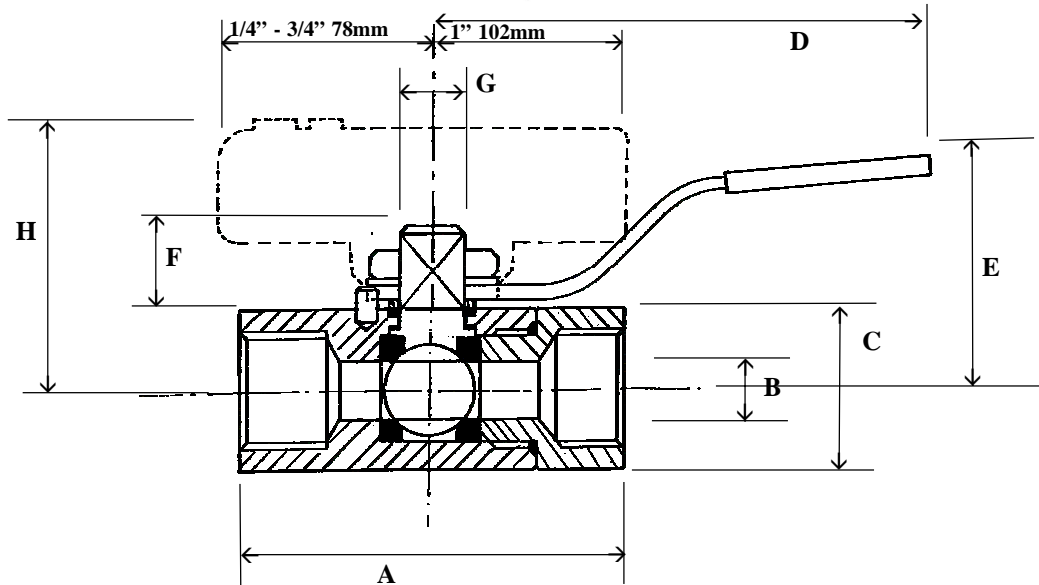
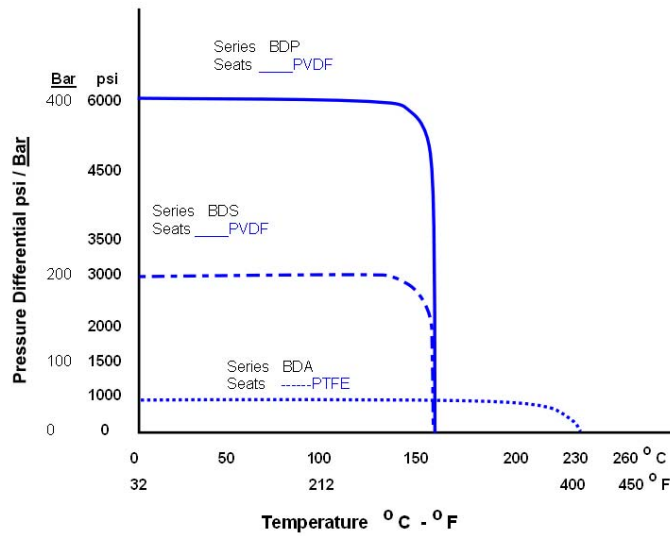
Park Works, Park Road,
ELLAND West Yorkshire,
HX5 9HN - England

Tel +44 (0) 845 094 3780
Fax +44 (0) 845 094 3790

'BD' Series BALL VALVES

TECHNICAL SPECIFICATIONS SHEET

PRESSURE/TEMPERATURE GRAPH



VALVE SIZES and DIMENSION TABLE									[mm] Rounded for clarity	
Valve Size	A		B Ø	C A/F	D	E	F	G Øx A/F	H	WEIGHT Kgs
	NPT	BSPP								
08 - 1/4"	62	62	10	28	115	43	18	3/8"- 7.0	47	0.40
10 - 3/8"	64	64	10	28	115	43	18	3/8"- 7.0	47	0.40
15 - 1/2"	80	79	10	28	115	43	18	3/8"- 7.0	47	0.45
20 - 3/4"	83	81	12.7	35	115	45	18	3/8"- 7.0	49	0.65
25 - 1"	100	99	19	42.5	115	50	18	3/8"- 7.0	52	0.85
									-	

We reserve the right to change specifications in this leaflet due to our continuing programme BDSeries - 01/08



Website: www.colson.co.uk

e-mail: sales@colson.co.uk Certificate No LRQ 0960294
ISO 9001 Registered



Park Works, Park Road,
ELLAND West Yorkshire.
HX5 9HN - England

Tel +44 (0) 845 094 3780
Fax +44 (0) 845 094 3790