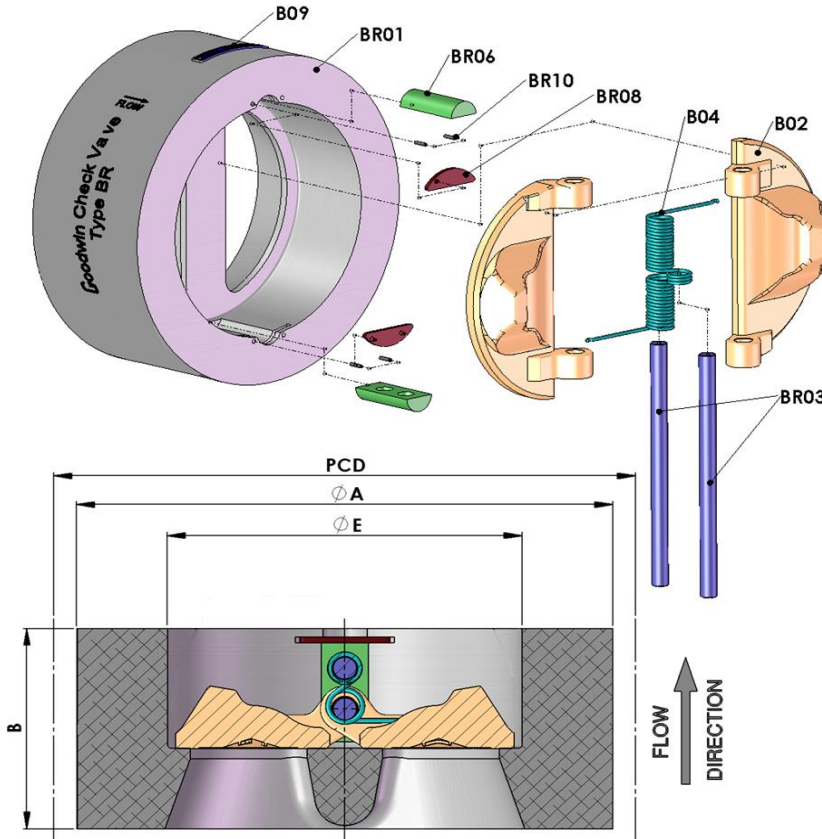


Customer: BELFAST CONTROLS EQUIPMENT TRADING  
 Project: STOCK  
 Item Number: 2  
 PO Number: SB-21-016



	Imperial	Metric
Size	2"	50mm
ASME Class	600#	
Dim A	4.38"	111mm
Dim B	2.38"	60mm
Dim E	2.25"	57mm
PCD	5"	127mm

Flange Standard	ASME B16.5	
Holes Per Flange	8	
Valve Weight	9 lbs	4 kgs

Stud Selection		
Diameter	Length	
	Imperial	Metric
5/8"	7.75"	195mm

Valve Face	Raised Face 3.2-6.3 $\mu$ m Spiral Groove
Valve Seat	Cobalt Alloy 6
Plate Overlay	None

**BR002-060-OUUPR/YF**

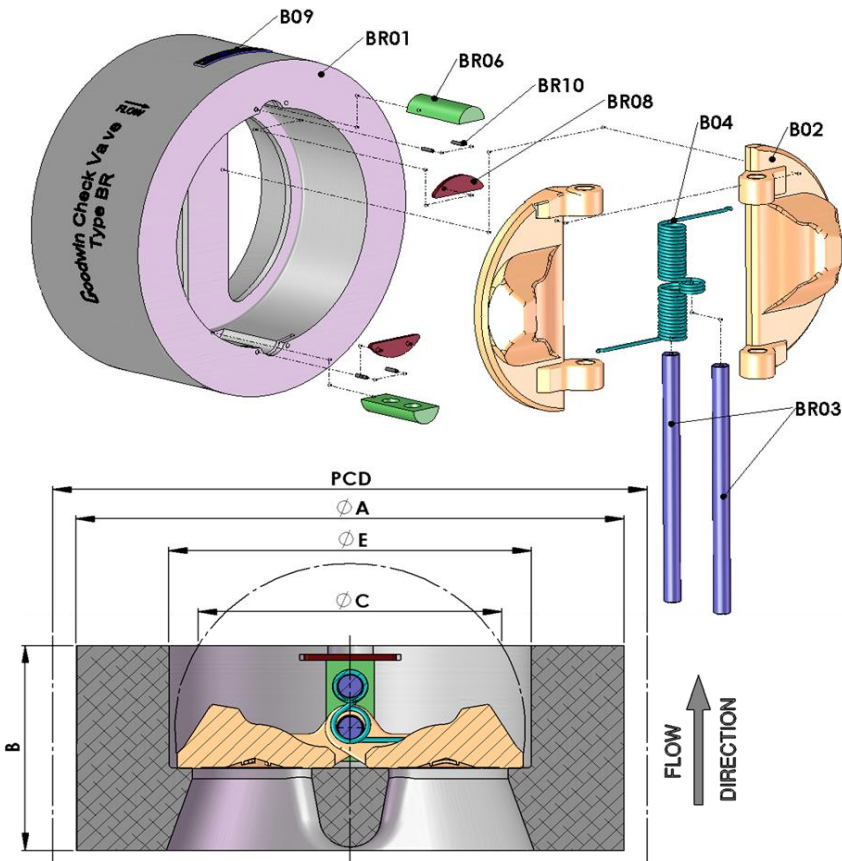
Item	Description	QTY	Material
BR01	Body	1	ASTM A105 (Q&T) / A350 LF2 (Dual Certified)
B02	Plates	2	Cobalt Alloy 6
BR03	Hinge & Stop Pin	2	AISI 316L Stainless Steel
B04	Spring	1	Inconel X750
BR06	Carrier	2	AISI 316 Stainless Steel
BR08	Keeper Plate	2	AISI 316 Stainless Steel
BR10	Retaining Screw	4	AISI 316 Stainless Steel
B09	Tag/Nameplate	1	316 Stainless Steel (Engraved)

Manufacturing Standards
STANDARDS APPLIED
ASME B16.5
API 594
EN ISO 8062-3
BS EN 10204
API 598
(if not covered by the above)
MANUFACTURER'S STD.

The materials in the valve description are cast / wrought / forged equivalents, to restrict the material allowed will have a direct implication on price and delivery of valves unless it was specifically stated and agreed at the point of quotation. Valve body outer profile may vary from that shown.

**Notes:** All materials conform to NACE MR-01-75 / ISO 15156 2009 Revision.  
 B11 Eyebolt not supplied for valves under 20kg.

Customer: BELFAST CONTROLS EQUIPMENT TRADING  
 Project: STOCK  
 Item Number: 3  
 PO Number: SB-21-016



	Imperial	Metric
Size	3"	80mm
ASME Class	300#	
Dim A	5.88"	149mm
Dim B	2.88"	73mm
Dim C	2"	51mm
Dim E	3.42"	87mm
PCD	6.75"	168.3mm

Flange Standard	ASME B16.5
Holes Per Flange	8
Valve Weight	18 lbs   8 kgs

Stud Selection		
Diameter	Length	
	Imperial	Metric
3/4"	8"	205mm

Valve Face	Raised Face 3.2-6.3 μm Spiral Groove
Valve Seat	Cobalt Alloy 6
Plate Overlay	None

**BR003-030-OUUPR/YF**

Item	Description	QTY	Material
BR01	Body	1	ASTM A105 (Q&T) / A350 LF2 (Dual Certified)
B02	Plates	2	Cobalt Alloy 6
BR03	Hinge & Stop Pin	2	AISI 316L Stainless Steel
B04	Spring	1	Inconel X750
BR06	Carrier	2	AISI 316 Stainless Steel
BR08	Keeper Plate	2	AISI 316 Stainless Steel
BR10	Retaining Screw	4	AISI 316 Stainless Steel
B09	Tag/Nameplate	1	316 Stainless Steel (Engraved)

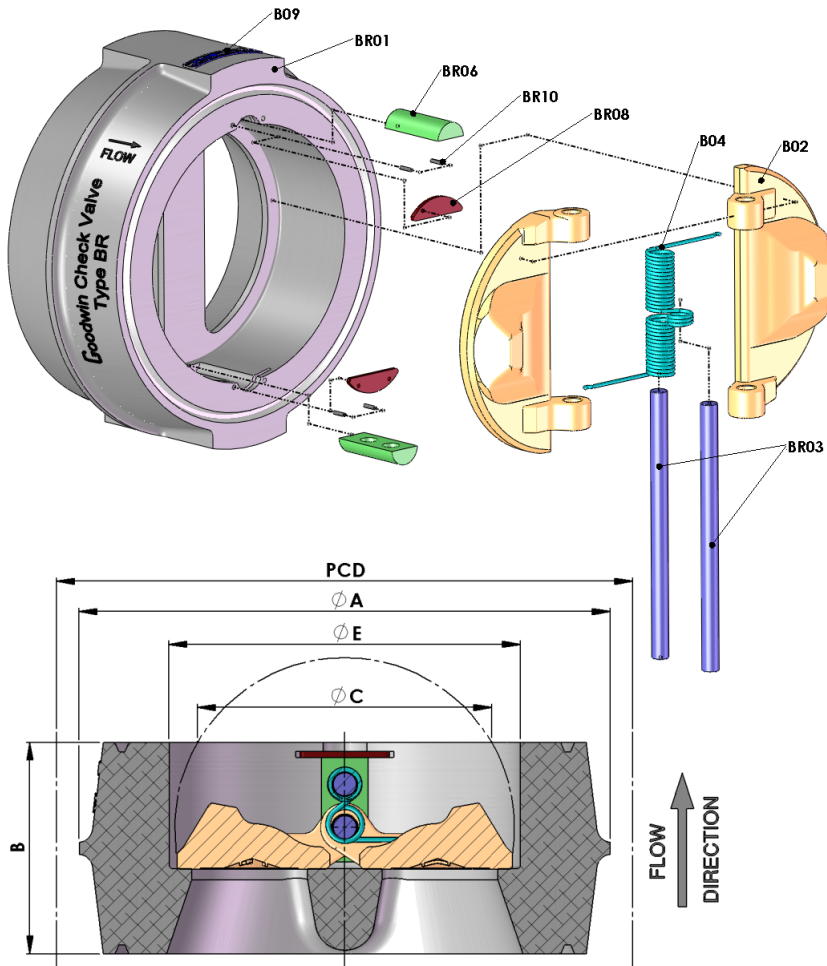
Manufacturing Standards
STANDARDS APPLIED
ASME B16.5
API 594
EN ISO 8062-3
BS EN 10204
API 598
(if not covered by the above)
MANUFACTURER'S STD.

The materials in the valve description are cast / wrought / forged equivalents, to restrict the material allowed will have a direct implication on price and delivery of valves unless it was specifically stated and agreed at the point of quotation. Valve body outer profile may vary from that shown.

**Notes:** All materials conform to NACE MR-01-75 / ISO 15156 2009 Revision.  
 B11 Eyebolt not supplied for valves under 20kg.

Customer: BELFAST CONTROLS EQUIPMENT TRADING  
 Project: STOCK  
 Item Number: 6  
 PO Number: SB-21-016

**APPROVED**  
 Varghese Joseph , 30/05/2021, 15:37:47



	Imperial	Metric
Size	3"	80mm
ASME Class	900#	
Dim A	6.63"	168mm
Dim B	3.25"	83mm
Dim C	2.38"	60mm
Dim E	3.42"	87mm
PCD	7.5"	190.5mm

Flange Standard	ASME B16.5	
Holes Per Flange	8	
Valve Weight	29 lbs	13 kgs

Stud Selection		
Diameter	Length	
	Imperial	Metric
7/8"	10"	255mm

Valve Face	Ring Type Joint
Valve Seat	Cobalt Alloy 6
Plate Overlay	None

### BR003-090-OUUPJ/YF

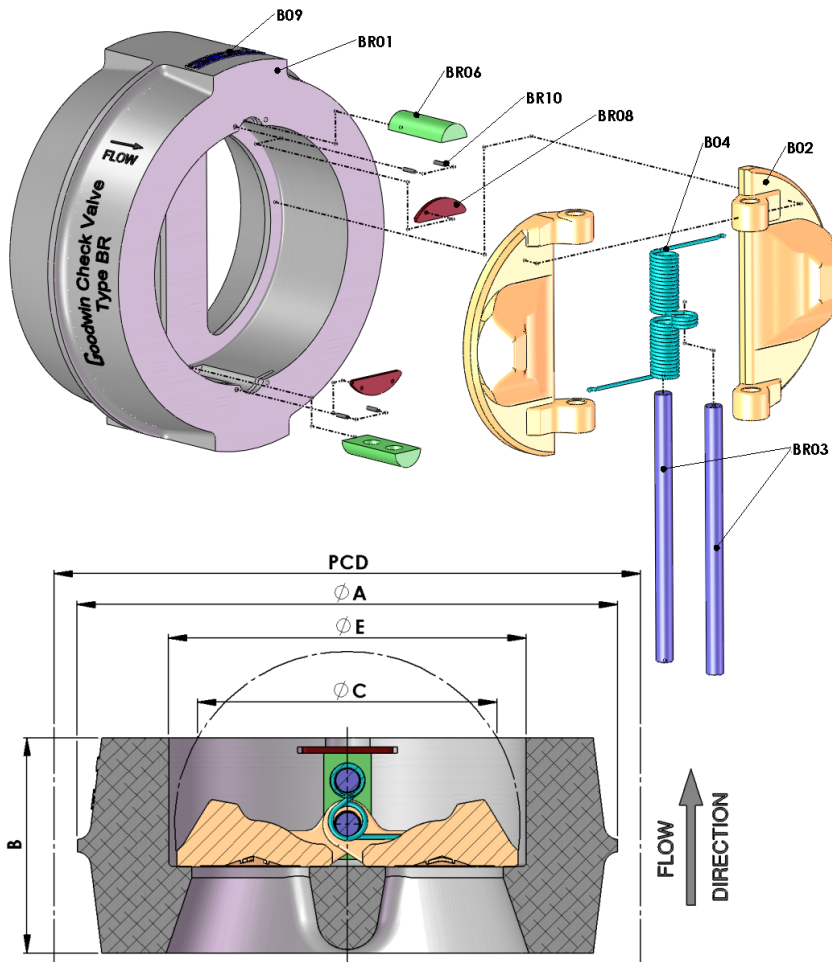
Item	Description	QTY	Material
BR01	Body	1	ASTM A105 (Q&T) / A350 LF2 (Dual Certified)
B02	Plates	2	Cobalt Alloy 6
BR03	Hinge & Stop Pin	2	AISI 316L Stainless Steel
B04	Spring	1	Inconel X750
BR06	Carrier	2	AISI 316 Stainless Steel
BR08	Keeper Plate	2	AISI 316 Stainless Steel
BR10	Retaining Screw	4	AISI 316 Stainless Steel
B09	Tag/Nameplate	1	316 Stainless Steel (Engraved)

Manufacturing Standards
STANDARDS APPLIED
ASME B16.5
API 594
EN ISO 8062-3
BS EN 10204
API 598
(if not covered by the above)
MANUFACTURER'S STD.

The materials in the valve description are cast / wrought / forged equivalents, to restrict the material allowed will have a direct implication on price and delivery of valves unless it was specifically stated and agreed at the point of quotation. Valve body outer profile may vary from that shown.

**Notes:** All materials conform to NACE MR-01-75 / ISO 15156 2009 Revision.  
 B11 Eyebolt not supplied for valves under 20kg.

Customer: BELFAST CONTROLS EQUIPMENT TRADING  
 Project: STOCK  
 Item Number: 8  
 PO Number: SB-21-016



	Imperial	Metric
Size	4"	100mm
ASME Class	300#	
Dim A	7.13"	181mm
Dim B	2.88"	73mm
Dim C	3.5"	89mm
Dim E	4.45"	113mm
PCD	7.9"	200mm

Flange Standard	ASME B16.5
Holes Per Flange	8
Valve Weight	20 lbs   9 kgs

Stud Selection		
Diameter	Length	
	Imperial	Metric
3/4"	8.25"	210mm

Valve Face	Raised Face 3.2-6.3 µm Spiral Groove
Valve Seat	Cobalt Alloy 6
Plate Overlay	Cobalt Alloy 6

### BR004-030-OSUUR/YF

Item	Description	QTY	Material
BR01	Body	1	ASTM A105 (Q&T) / A350 LF2 (Dual Certified)
B02	Plates	2	ASTM A351 CF8M / CF3M
BR03	Hinge & Stop Pin	2	AISI 316L Stainless Steel
B04	Spring	1	Inconel X750
BR06	Carrier	2	AISI 316 Stainless Steel
BR08	Keeper Plate	2	AISI 316 Stainless Steel
BR10	Retaining Screw	4	AISI 316 Stainless Steel
B09	Tag/Nameplate	1	316 Stainless Steel (Engraved)

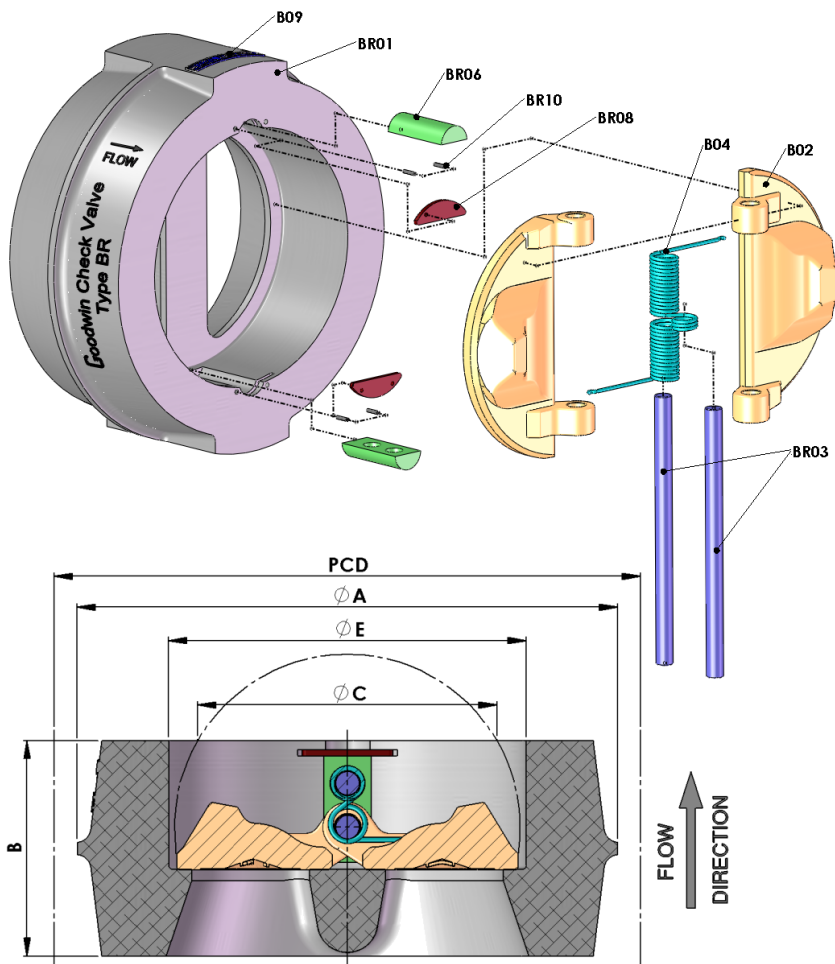
Manufacturing Standards
STANDARDS APPLIED
ASME B16.5
API 594
EN ISO 8062-3
BS EN 10204
API 598
(if not covered by the above)
MANUFACTURER'S STD.

The materials in the valve description are cast / wrought / forged equivalents, to restrict the material allowed will have a direct implication on price and delivery of valves unless it was specifically stated and agreed at the point of quotation. Valve body outer profile may vary from that shown.

**Notes:** All materials conform to NACE MR-01-75 / ISO 15156 2009 Revision.  
 B11 Eyebolt not supplied for valves under 20kg.

Customer: BELFAST CONTROLS EQUIPMENT TRADING  
 Project: STOCK  
 Item Number: 9  
 PO Number: SB-21-016

**APPROVED**  
 Varghese Joseph , 30/05/2021, 15:37:47



	Imperial	Metric
Size	4"	100mm
ASME Class	600#	
Dim A	7.63"	194mm
Dim B	3.13"	79mm
Dim C	3.5"	89mm
Dim E	4.45"	113mm
PCD	8.5"	215.9mm

Flange Standard	ASME B16.5
Holes Per Flange	8
Valve Weight	29 lbs   13 kgs

Stud Selection		
Diameter	Length	
	Imperial	Metric
7/8"	10"	255mm

Valve Face	Raised Face 3.2-6.3 µm Spiral Groove
Valve Seat	Cobalt Alloy 6
Plate Overlay	Cobalt Alloy 6

### BR004-060-OSUUR/YF

Item	Description	QTY	Material
BR01	Body	1	ASTM A105 (Q&T) / A350 LF2 (Dual Certified)
B02	Plates	2	ASTM A351 CF8M
BR03	Hinge & Stop Pin	2	AISI 316L Stainless Steel
B04	Spring	1	Inconel X750
BR06	Carrier	2	AISI 316 Stainless Steel
BR08	Keeper Plate	2	AISI 316 Stainless Steel
BR10	Retaining Screw	4	AISI 316 Stainless Steel
B09	Tag/Nameplate	1	316 Stainless Steel (Engraved)

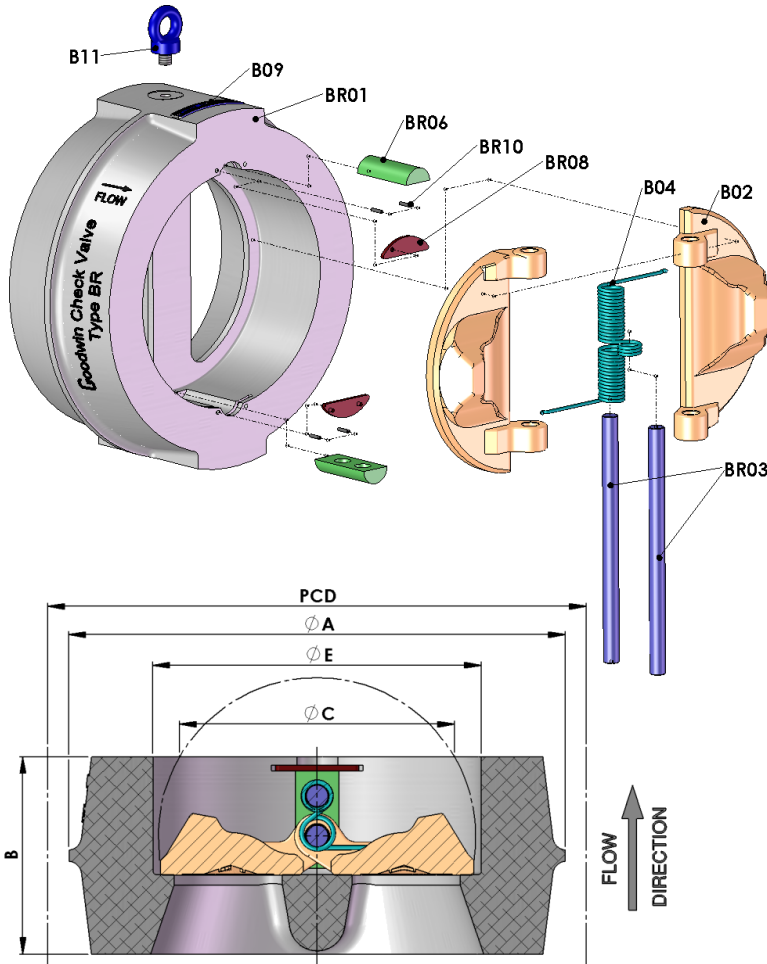
Manufacturing Standards
STANDARDS APPLIED
ASME B16.5
API 594
EN ISO 8062-3
BS EN 10204
API 598
(if not covered by the above)
MANUFACTURER'S STD.

The materials in the valve description are cast / wrought / forged equivalents, to restrict the material allowed will have a direct implication on price and delivery of valves unless it was specifically stated and agreed at the point of quotation. Valve body outer profile may vary from that shown.

**Notes:** All materials conform to NACE MR-01-75 / ISO 15156 2009 Revision.  
 B11 Eyebolt not supplied for valves under 20kg.

Customer: BELFAST CONTROLS EQUIPMENT TRADING  
 Project: STOCK  
 Item Number: 10  
 PO Number: SB-21-016

**APPROVED**  
 Varghese Joseph , 30/05/2021, 15:37:47



	Imperial	Metric
Size	6"	150mm
ASME Class	600#	
Dim A	10.5"	267mm
Dim B	5.38"	136mm
Dim C	3.5"	89mm
Dim E	6.52"	166mm
PCD	11.5"	292.1mm

Flange Standard	ASME B16.5
Holes Per Flange	12
Valve Weight	84 lbs   38 kgs

Stud Selection		
Diameter	Length	
	Imperial	Metric
1"	12.38"	340mm

Valve Face	Raised Face 3.2-6.3 $\mu$ m Spiral Groove
Valve Seat	Cobalt Alloy 6
Plate Overlay	Cobalt Alloy 6

### BR006-060-OSUUR/YF

Item	Description	QTY	Material
BR01	Body	1	ASTM A216 WCB / A352 LCC (Dual Certified)
B02	Plates	2	ASTM A351 CF8M
BR03	Hinge & Stop Pin	2	AISI 316L Stainless Steel
B04	Spring	1	Inconel X750
BR06	Carrier	2	AISI 316 Stainless Steel
BR08	Keeper Plate	2	AISI 316 Stainless Steel
BR10	Retaining Screw	4	AISI 316 Stainless Steel
BR11	Eyebolt	1	Carbon Steel
B09	Tag/Nameplate	1	316 Stainless Steel (Engraved)

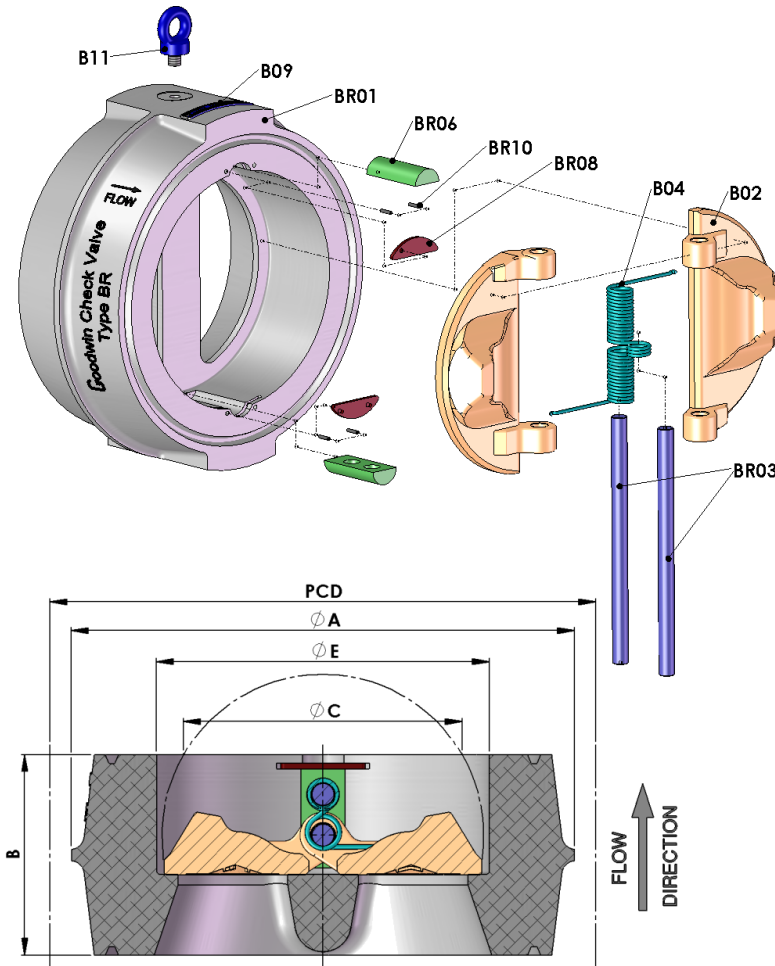
Manufacturing Standards
STANDARDS APPLIED
ASME B16.5
API 594
EN ISO 8062-3
BS EN 10204
API 598
(if not covered by the above)
MANUFACTURER'S STD.

The materials in the valve description are cast / wrought / forged equivalents, to restrict the material allowed will have a direct implication on price and delivery of valves unless it was specifically stated and agreed at the point of quotation. Valve body outer profile may vary from that shown.

**Notes:** All materials conform to NACE MR-01-75 / ISO 15156 2009 Revision.  
 Lifting eyebolts supplied are for installation purposes only and should be removed after valve installation.

Customer: BELFAST CONTROLS EQUIPMENT TRADING  
 Project: STOCK  
 Item Number: 11  
 PO Number: SB-21-016

**APPROVED**  
 Varghese Joseph , 30/05/2021, 15:37:47



	Imperial	Metric
Size	6"	150mm
ASME Class	900#	
Dim A	11.38"	289mm
Dim B	6.25"	159mm
Dim C	3.5"	89mm
Dim E	6.52"	166mm
PCD	12.5"	317.5mm

Flange Standard	ASME B16.5
Holes Per Flange	12
Valve Weight	141 lbs   64 kgs

Stud Selection		
Diameter	Length	
	Imperial	Metric
1 1/8"	15"	380mm

Valve Face	Ring Type Joint
Valve Seat	Cobalt Alloy 6
Plate Overlay	Cobalt Alloy 6

### BR006-090-OSUUJ/YF

Item	Description	QTY	Material
BR01	Body	1	ASTM A105 (Q&T) / A350 LF2 (Dual Certified)
B02	Plates	2	ASTM A351 CF8M
BR03	Hinge & Stop Pin	2	AISI 316L Stainless Steel
B04	Spring	1	Inconel X750
BR06	Carrier	2	AISI 316 Stainless Steel
BR08	Keeper Plate	2	AISI 316 Stainless Steel
BR10	Retaining Screw	4	AISI 316 Stainless Steel
BR11	Eyebolt	1	Carbon Steel
B09	Tag/Nameplate	1	316 Stainless Steel (Engraved)

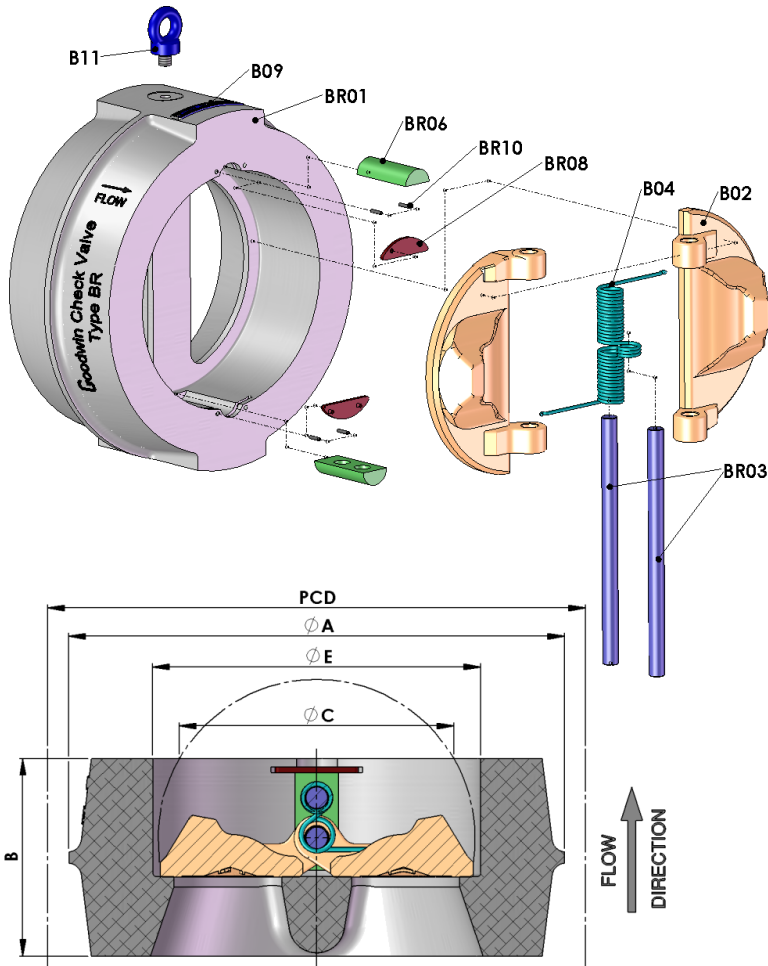
Manufacturing Standards
STANDARDS APPLIED
ASME B16.5
API 594
EN ISO 8062-3
BS EN 10204
API 598
(if not covered by the above)
MANUFACTURER'S STD.

The materials in the valve description are cast / wrought / forged equivalents, to restrict the material allowed will have a direct implication on price and delivery of valves unless it was specifically stated and agreed at the point of quotation. Valve body outer profile may vary from that shown.

**Notes:** All materials conform to NACE MR-01-75 / ISO 15156 2009 Revision.  
 Lifting eyebolts supplied are for installation purposes only and should be removed after valve installation.

Customer: BELFAST CONTROLS EQUIPMENT TRADING  
 Project: STOCK  
 Item Number: 12  
 PO Number: SB-21-016

**APPROVED**  
 Varghese Joseph , 30/05/2021, 15:37:47



	Imperial	Metric
Size	10"	250mm
ASME Class	150#	
Dim A	13.38"	340mm
Dim B	5.75"	146mm
Dim C	9.25"	235mm
Dim E	10.25"	260mm
PCD	14.25"	362mm

Flange Standard	ASME B16.5
Holes Per Flange	12
Valve Weight	123 lbs   56 kgs

Stud Selection		
Diameter	Length	
	Imperial	Metric
7/8"	11.25"	285mm

Valve Face	Raised Face 3.2-6.3 μm Spiral Groove
Valve Seat	Cobalt Alloy 6
Plate Overlay	Cobalt Alloy 6

### BR010-015-OSUUR/YF

Item	Description	QTY	Material
BR01	Body	1	ASTM A105 (Q&T) / A350 LF2 (Dual Certified)
B02	Plates	2	ASTM A351 CF8M
BR03	Hinge & Stop Pin	2	AISI 316L Stainless Steel
B04	Spring	1	Inconel X750
BR06	Carrier	2	AISI 316 Stainless Steel
BR08	Keeper Plate	2	AISI 316 Stainless Steel
BR10	Retaining Screw	4	AISI 316 Stainless Steel
BR11	Eyebolt	1	Carbon Steel
B09	Tag/Nameplate	1	316 Stainless Steel (Engraved)

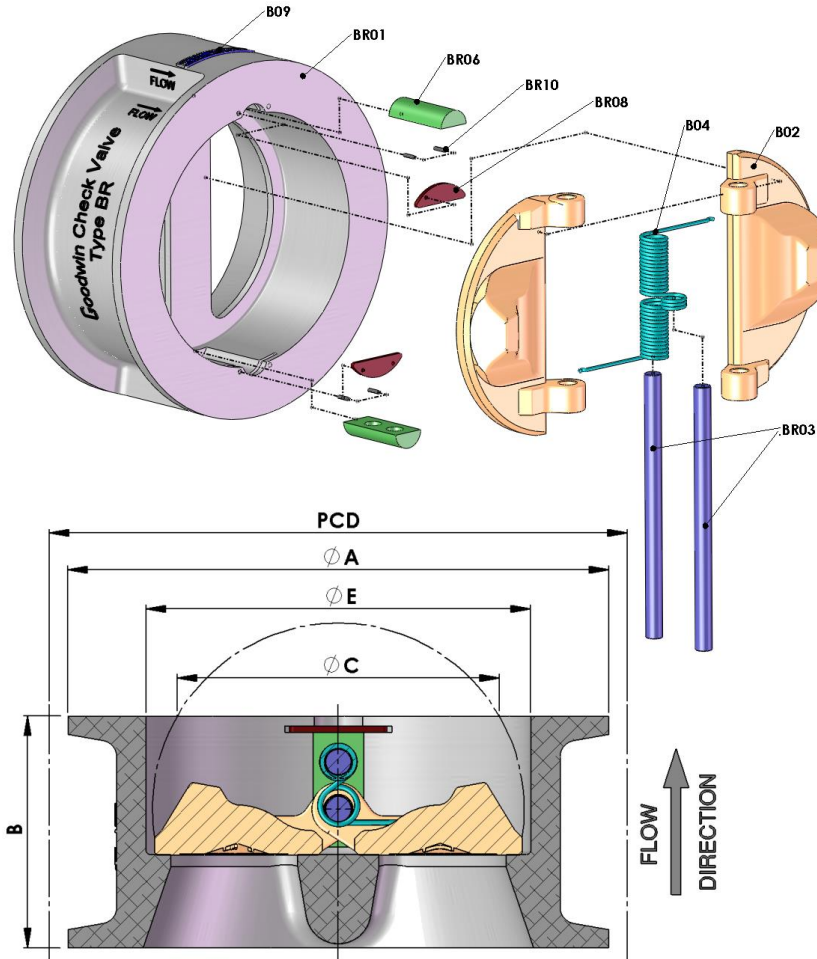
Manufacturing Standards
STANDARDS APPLIED
ASME B16.5
API 594
EN ISO 8062-3
BS EN 10204
API 598
(if not covered by the above)
MANUFACTURER'S STD.

The materials in the valve description are cast / wrought / forged equivalents, to restrict the material allowed will have a direct implication on price and delivery of valves unless it was specifically stated and agreed at the point of quotation. Valve body outer profile may vary from that shown.

**Notes:** All materials conform to NACE MR-01-75 / ISO 15156 2009 Revision.  
 Lifting eyebolts supplied are for installation purposes only and should be removed after valve installation.



Customer: BELFAST CONTROLS EQUIPMENT TRADING  
 Project: STOCK  
 Item Number: 1  
 PO Number: SB-21-016



**APPROVED**  
 Varghese Joseph , 30/05/2021, 15:37:47

	Imperial	Metric
Size	2"	50mm
ASME Class	150#	
Dim A	4.13"	105mm
Dim B	2.38"	60mm
Dim E	2.25"	57mm
PCD	4.75"	120.7mm

Flange Standard	ASME B16.5	
Holes Per Flange	4	
Valve Weight	7 lbs	3 kgs

Stud Selection		
Diameter	Length	
	Imperial	Metric
5/8"	6.5"	165mm

Valve Face	Raised Face 3.2-6.3 $\mu$ m Spiral Groove
Valve Seat	Cobalt Alloy 6
Plate Overlay	None

### BR002-015-FUUPR/YF

Item	Description	QTY	Material
BR01	Body	1	ASTM A351 CF3M / A182 F316L
B02	Plates	2	Cobalt Alloy 6
BR03	Hinge & Stop Pin	2	AISI 316L Stainless Steel
B04	Spring	1	Inconel X750
BR06	Carrier	2	AISI 316 Stainless Steel
BR08	Keeper Plate	2	AISI 316 Stainless Steel
BR10	Retaining Screw	4	AISI 316 Stainless Steel
B09	Tag/Nameplate	1	316 Stainless Steel (Engraved)

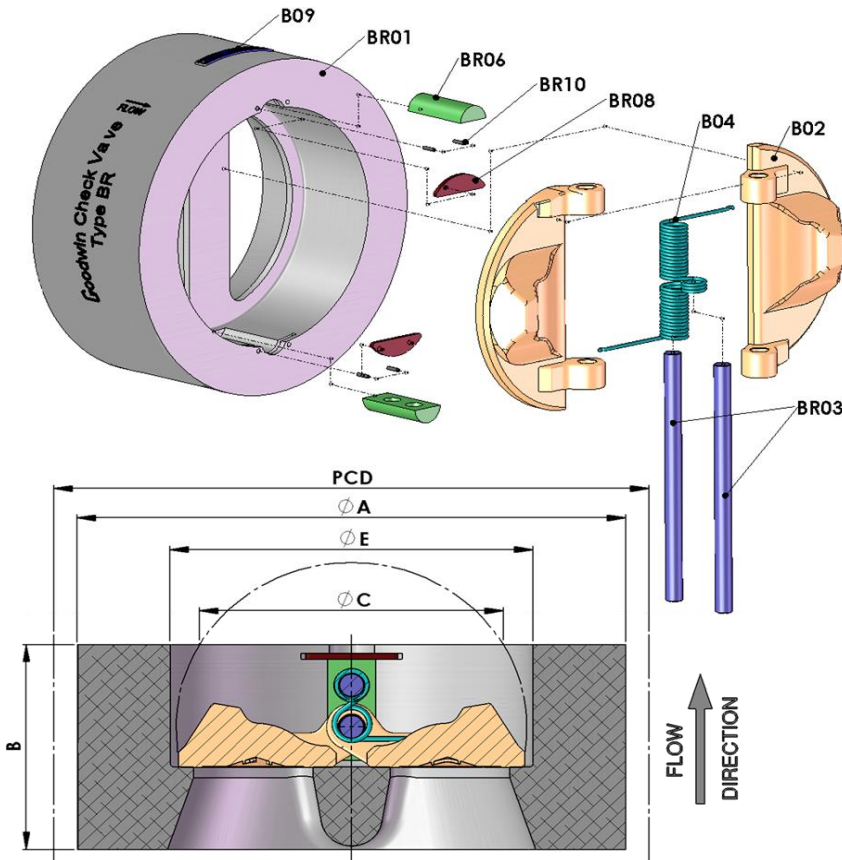
Manufacturing Standards
STANDARDS APPLIED
ASME B16.5
API 594
EN ISO 8062-3
BS EN 10204
API 598
(if not covered by the above)
MANUFACTURER'S STD.

The materials in the valve description are cast / wrought / forged equivalents, to restrict the material allowed will have a direct implication on price and delivery of valves unless it was specifically stated and agreed at the point of quotation. Valve body outer profile may vary from that shown.

**Notes:** All materials conform to NACE MR-01-75 / ISO 15156 2009 Revision.  
 B11 Eyebolt not supplied for valves under 20kg.

Customer: BELFAST CONTROLS EQUIPMENT TRADING  
 Project: STOCK  
 Item Number: 4  
 PO Number: SB-21-016

**APPROVED**  
 Varghese Joseph , 30/05/2021, 15:37:47



	Imperial	Metric
Size	3"	80mm
ASME Class	300#	
Dim A	5.88"	149mm
Dim B	2.88"	73mm
Dim C	2"	51mm
Dim E	3.42"	87mm
PCD	6.75"	168.3mm

Flange Standard	ASME B16.5
Holes Per Flange	8
Valve Weight	18 lbs   8 kgs

Stud Selection		
Diameter	Length	
	Imperial	Metric
3/4"	8"	205mm

Valve Face	Raised Face 3.2-6.3 µm Spiral Groove
Valve Seat	Cobalt Alloy 6
Plate Overlay	None

### BR003-030-FUUPR/YF

Item	Description	QTY	Material
BR01	Body	1	ASTM A351 CF3M / A182 F316L
B02	Plates	2	Cobalt Alloy 6
BR03	Hinge & Stop Pin	2	AISI 316L Stainless Steel
B04	Spring	1	Inconel X750
BR06	Carrier	2	AISI 316 Stainless Steel
BR08	Keeper Plate	2	AISI 316 Stainless Steel
BR10	Retaining Screw	4	AISI 316 Stainless Steel
B09	Tag/Nameplate	1	316 Stainless Steel (Engraved)

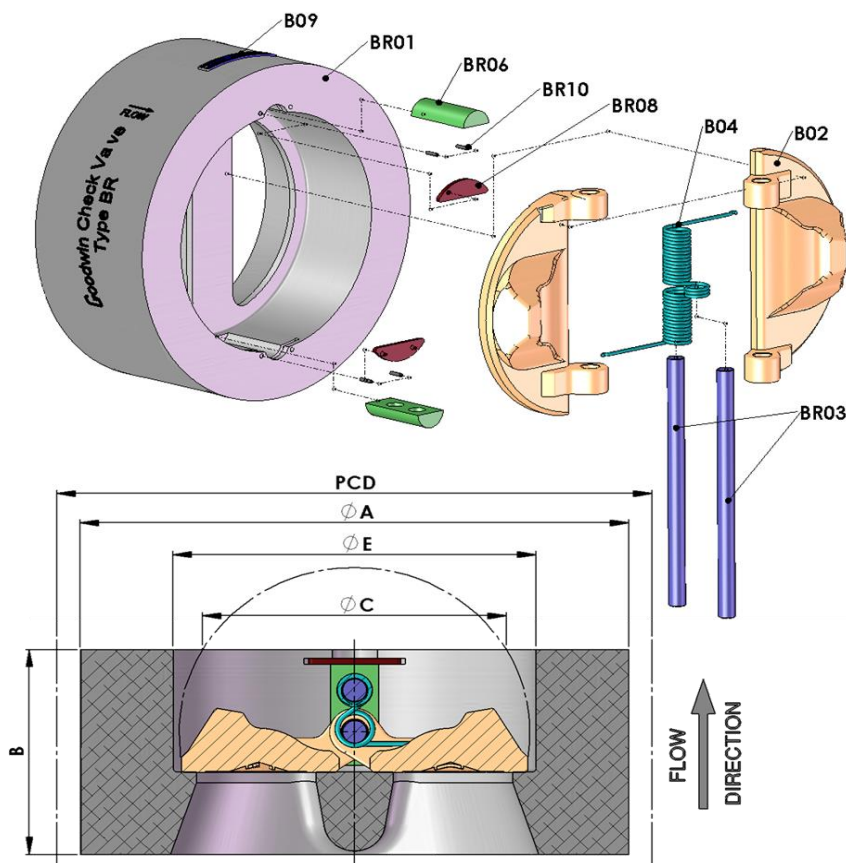
Manufacturing Standards
STANDARDS APPLIED
ASME B16.5
API 594
EN ISO 8062-3
BS EN 10204
API 598
(if not covered by the above)
MANUFACTURER'S STD.

The materials in the valve description are cast / wrought / forged equivalents, to restrict the material allowed will have a direct implication on price and delivery of valves unless it was specifically stated and agreed at the point of quotation. Valve body outer profile may vary from that shown.

**Notes:** All materials conform to NACE MR-01-75 / ISO 15156 2009 Revision.  
 B11 Eyebolt not supplied for valves under 20kg.

Customer: BELFAST CONTROLS EQUIPMENT TRADING  
 Project: STOCK  
 Item Number: 5  
 PO Number: SB-21-016

**APPROVED**  
 Varghese Joseph , 30/05/2021, 15:37:47



	Imperial	Metric
Size	3"	80mm
ASME Class	600#	
Dim A	5.88"	149mm
Dim B	2.88"	73mm
Dim C	2"	51mm
Dim E	3.42"	87mm
PCD	6.75"	168.3mm

Flange Standard	ASME B16.5
Holes Per Flange	8
Valve Weight	18 lbs   8 kgs

Stud Selection		
Diameter	Length	
	Imperial	Metric
3/4"	9"	230mm

Valve Face	Raised Face 3.2-6.3 µm Spiral Groove
Valve Seat	Cobalt Alloy 6
Plate Overlay	None

### BR003-060-FUUPR/YF

Item	Description	QTY	Material
BR01	Body	1	ASTM A351 CF3M / A182 F316L
B02	Plates	2	Cobalt Alloy 6
BR03	Hinge & Stop Pin	2	AISI 316L Stainless Steel
B04	Spring	1	Inconel X750
BR06	Carrier	2	AISI 316 Stainless Steel
BR08	Keeper Plate	2	AISI 316 Stainless Steel
BR10	Retaining Screw	4	AISI 316 Stainless Steel
B09	Tag/Nameplate	1	316 Stainless Steel (Engraved)

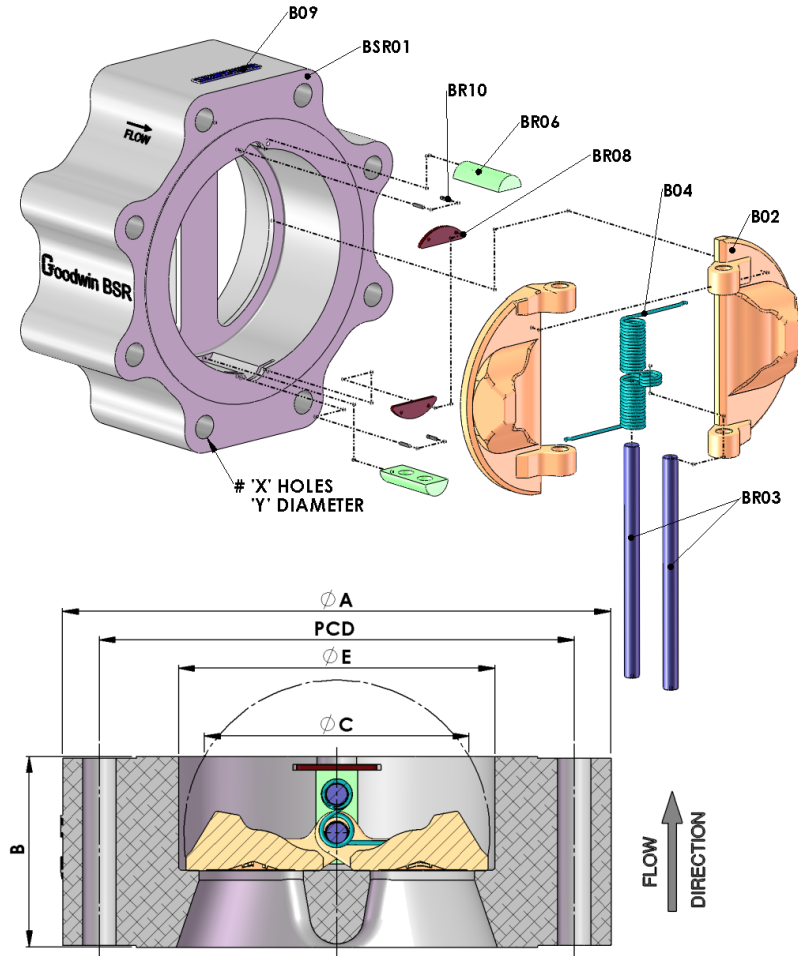
Manufacturing Standards
STANDARDS APPLIED
ASME B16.5
API 594
EN ISO 8062-3
BS EN 10204
API 598
(if not covered by the above)
MANUFACTURER'S STD.

The materials in the valve description are cast / wrought / forged equivalents, to restrict the material allowed will have a direct implication on price and delivery of valves unless it was specifically stated and agreed at the point of quotation. Valve body outer profile may vary from that shown.

**Notes:** All materials conform to NACE MR-01-75 / ISO 15156 2009 Revision.  
 B11 Eyebolt not supplied for valves under 20kg.

Customer: BELFAST CONTROLS EQUIPMENT TRADING  
 Project: STOCK  
 Item Number: 7  
 PO Number: SB-21-016

**APPROVED**  
 Varghese Joseph , 30/05/2021, 15:37:47



	Imperial	Metric
Size	4"	100mm
ASME Class	150#	
Dim A	9"	229mm
Dim B	2.88"	73mm
Dim C	3.5"	89mm
Dim E	4.45"	113mm
Dim Y	0.75"	19.1mm
PCD	7.5"	190.5mm

Flange Standard	ASME B16.5
Holes Per Flange	8
Valve Weight	29 lbs   13 kgs

Stud Selection		
Diameter	Length	
	Imperial	Metric
5/8"	7.25"	185mm

Valve Face	Raised Face 3.2-6.3 µm Spiral Groove
Valve Seat	Cobalt Alloy 6
Plate Overlay	Cobalt Alloy 6

### BSR04-015-OSUUR/YF

Item	Description	QTY	Material
BSR01	Body	1	ASTM A216 WCB / A352 LCC (Dual Certified)
B02	Plates	2	ASTM A351 CF8M
BR03	Hinge & Stop Pin	2	AISI 316L Stainless Steel
B04	Spring	1	Inconel X750
BR06	Carrier	2	AISI 316 Stainless Steel
BR08	Keeper Plate	2	AISI 316 Stainless Steel
BR10	Retaining Screw	4	AISI 316 Stainless Steel
B09	Tag/Nameplate	1	316 Stainless Steel (Engraved)

Manufacturing Standards
STANDARDS APPLIED
ASME B16.5
API 594
EN ISO 8062-3
BS EN 10204
API 598
(if not covered by the above)
MANUFACTURER'S STD.

The materials in the valve description are cast / wrought / forged equivalents, to restrict the material allowed will have a direct implication on price and delivery of valves unless it was specifically stated and agreed at the point of quotation. Valve body outer profile may vary from that shown.

**Notes:** All materials conform to NACE MR-01-75 / ISO 15156 2009 Revision.  
 B11 Eyebolt not supplied for valves under 20kg.