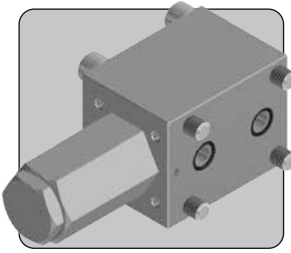


RL50M

RELIEF VALVE

1/2" UP TO 1,034 BAR 15,000 PSI



The RL50M is a 1/2" manifold mounted relief valve. Designed for emergency relief applications, it may be used to protect systems up to 1,034 bar (15,000 psi).

The valve is a proportional metering style relief valve, and is approved as a safety accessory to category IV of the Pressure Equipment Directive, enabling its use in the most demanding applications.

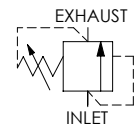
- Approved to category IV of the Pressure Equipment Directive (2014/68/EU)
- Available preset or may be set via internal adjustment
- Convenient manifold mounted style allows removal for servicing without disturbing pipework
- Minimal leakage at 90% of set pressure
- Reseat within 20% of set pressure
- Repeatably within ±5% of set pressure
- Subsea variants available, contact us for advice
- Suitable for use with mineral oils and water glycols, with options for water and sea water duty
- Suitable for many other media, contact us for advice
- Various spring ranges available.

Specifications

BASIC MODEL NUMBER

RL50M

SYMBOL



MAX WORKING PRESSURE

1,034 bar
(15,000 psi)

MAX OUTLET PORT PRESSURE

69 bar
(1,000 psi)
Note: Any outlet port pressure is directly additive to the set pressure

ORIFICE SIZE

Ø6.0mm (Ø0.236") - 1.6K & 5K
Ø4.1mm (Ø0.161") - 15K

FLUID

Liquids only
See materials section

TEMPERATURE RANGE

See Product Selector opposite and Technical Data section

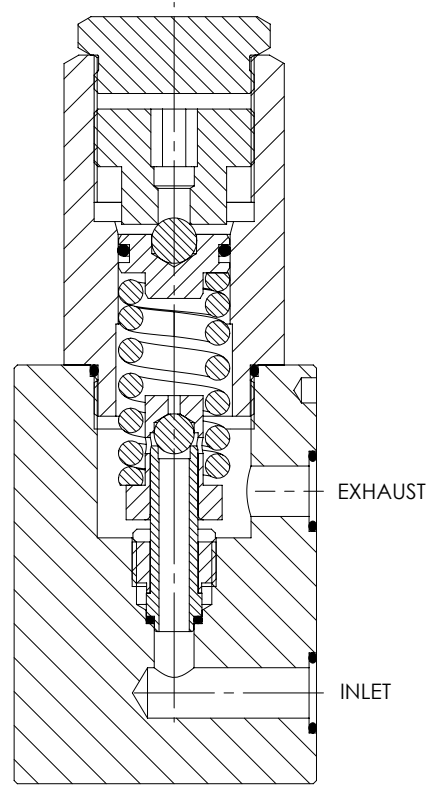
NOMINAL SIZE

1/2"

WEIGHT

2.9 kg
(6.4 lb)

Specifications may change without notice



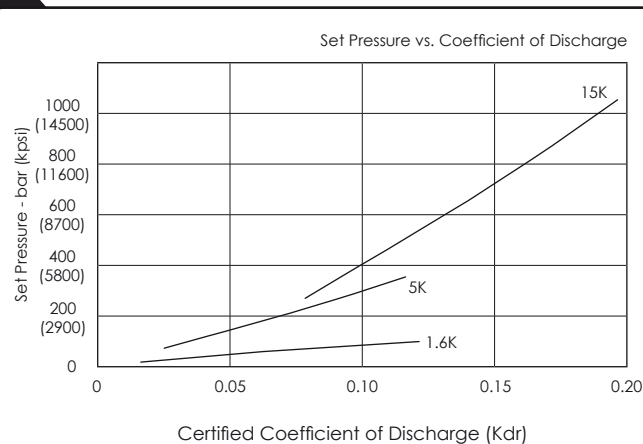
Materials

Externally Exposed Parts: 316 stainless steel on all pressure retaining components, 300 series stainless steel is used for the external adjuster. The non-wetted and enclosed internal adjuster is chrome steel and brass.

Internally Wetted Parts: 316, 302 and 431 stainless steel. The seat and ball are 440C stainless steel and silicon nitride respectively. The water duty version contains a 17-4 PH stainless steel seat. The sea water duty valve uses only 316 stainless steel, inonel and silicon nitride in wetted areas. Note that use with water above 100°C is not recommended.

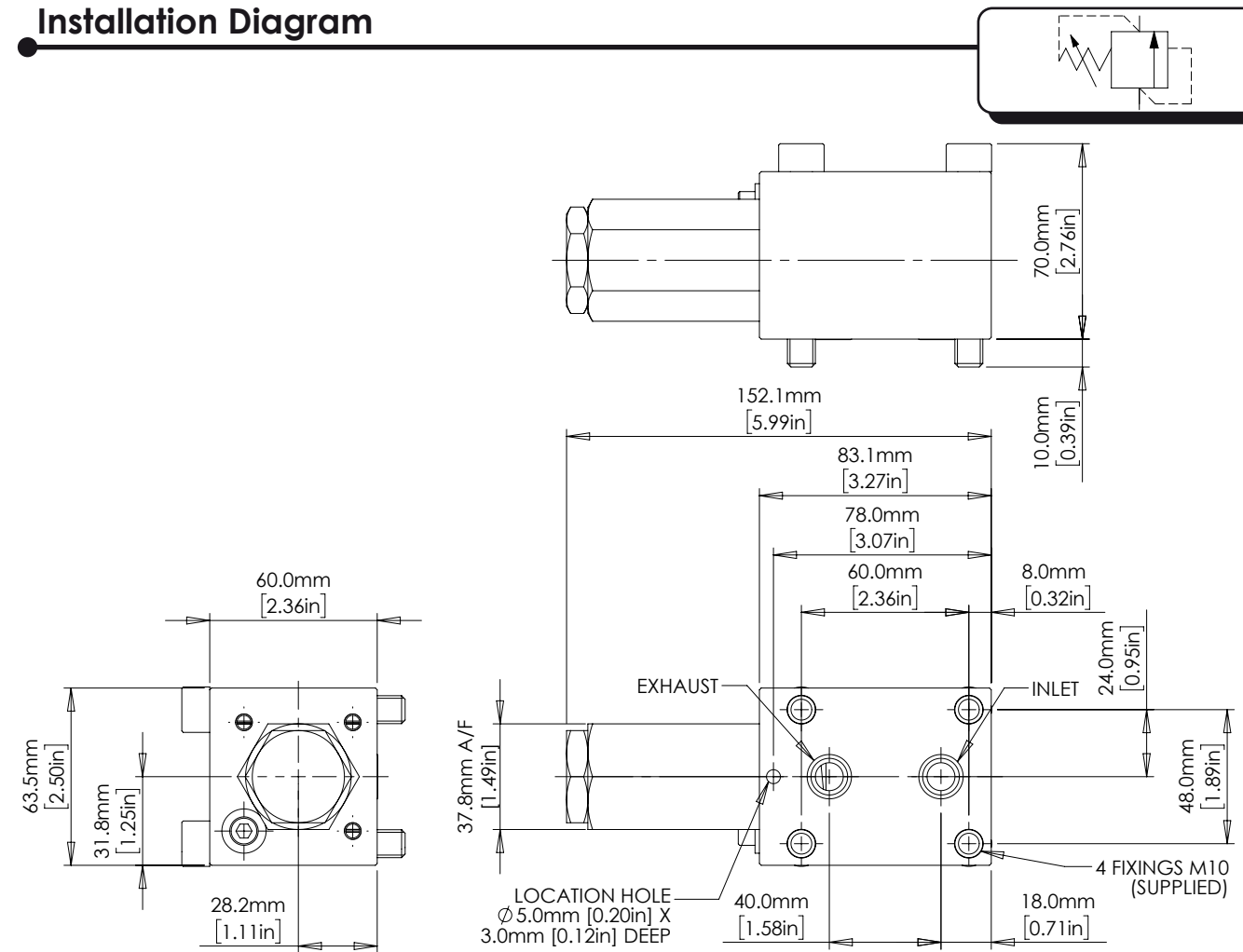
⚠ The standard valve has Viton® seals. Further seal options are available via the Product Selector. Compatibility with the working fluid at the operating temperature must be considered.

Typical Performance



The ICdr value may be used to calculate discharge capacity in accordance with ISO 4126. We recommend contacting us with system details to confirm suitability.

Installation Diagram



Product Selector

RL50M - WD - NBR - 1.6K

VALVE TYPE	WORKING FLUID OPTIONS	SEAL OPTIONS	SET PRESSURE RANGE
RL50M	<p>WD Water duty</p> <p>SWD Sea water duty</p>	<p>NBR Nitrile seals -30°C to +105°C</p> <p>KLZ Kalrez® seals -25°C to +120°C</p> <p>HNBR Hydrogenated Nitrile seals -20°C to +120°C</p> <p><i>Further seal options are available on request</i></p>	<p>1.6K 13.8 - 110 bar (200 - 1,600 psi)</p> <p>5K 69 - 345 bar (1,000 - 5,000 psi)</p> <p>15K 276 - 1,034 bar (4,000 - 15,000 psi)</p> <p><i>Advise us of set pressure if factory pre-setting is required</i></p>

Repair and seal kits are available on request
For a seal kit add SK at the end of the model code and for a repair kit add RK



CATALOGUE ALSO AVAILABLE ON CD
VISIT OUR WEBSITE FOR A FULL ONLINE SEARCH FACILITY
www.bisvalves.co.uk



BS VALVES
The Specifier's Catalogue Page ???

SOLENOID
FLOW CONTROL
3 PORT DIRECTIONAL CONTROL
4 PORT DIRECTIONAL CONTROL
CHECK AND SHUTTLE
PILOT OPERATED CHECK
RELIEF
EXCESS FLOW
FILTERS
PRESSURE SENSING
PUMPS
ACTUATORS
TECHNICAL DATA